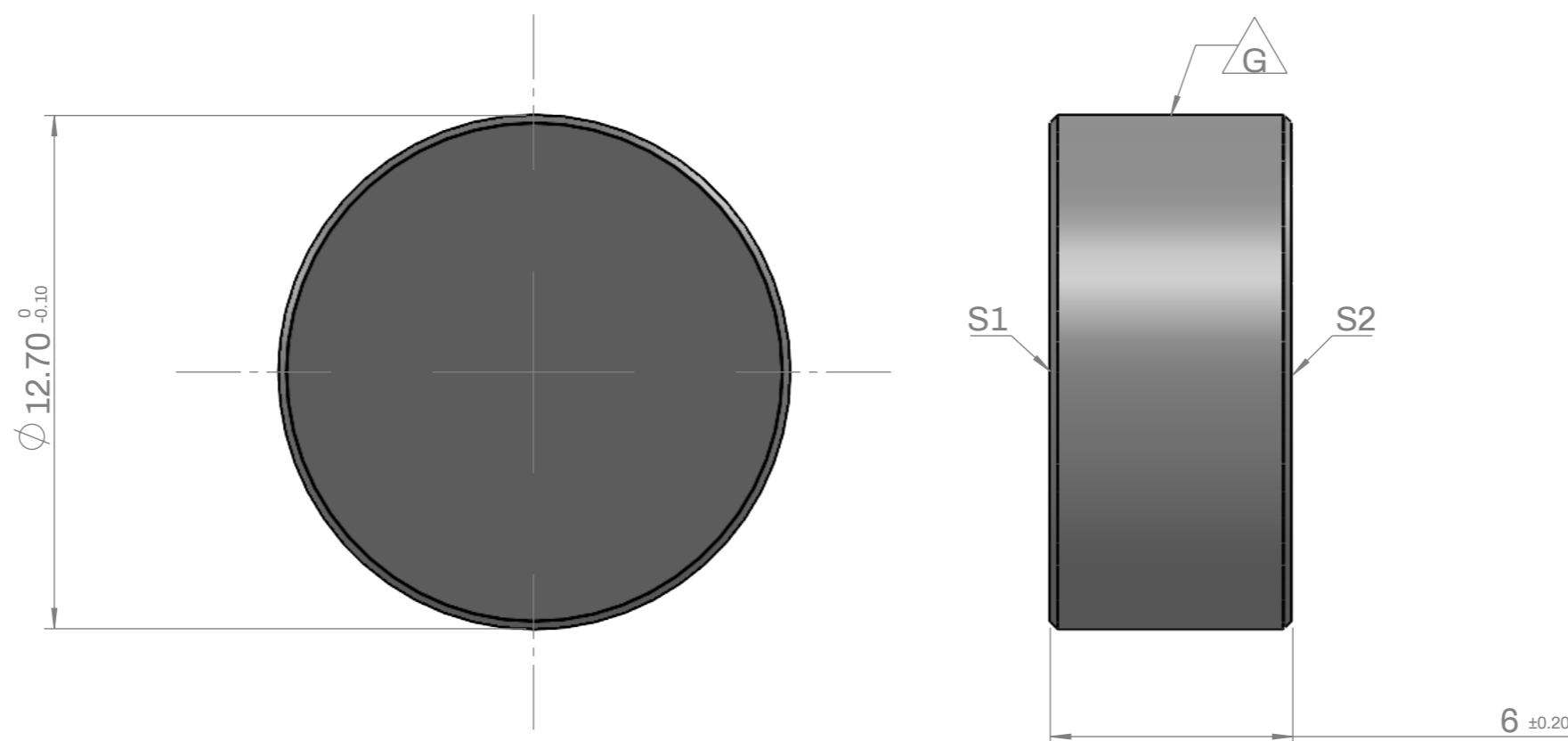
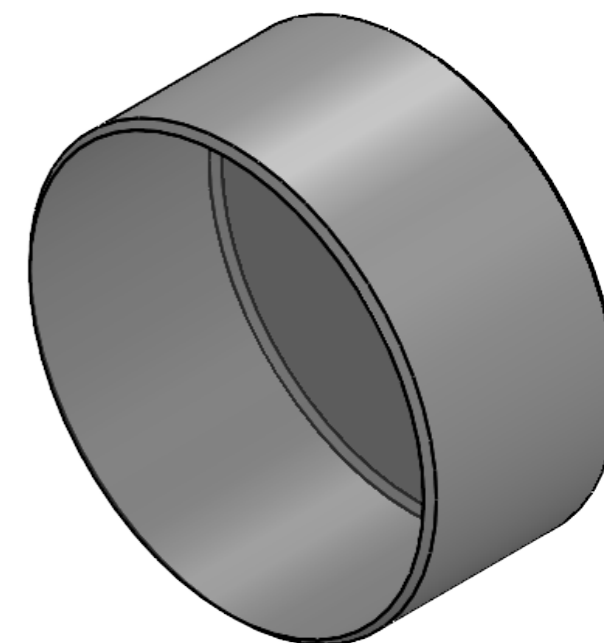


SPECIFICATIONS

- Order number : PAL05B6
- Substrate : N-BK7
- Dimension : $\varnothing 12.7\text{mm}$ (+0.0/-0.1)
- Thickness : 6.0mm(± 0.2)
- Surface Accuracy, P-V : $\lambda/4$ @ 633nm per surface
- Surface Quality, S-D : 40-20 Scratch-Dig
- Coating S1 : $R_{\text{avg}} > 90\% (\pm 3\%) @ 450-650\text{nm}$, AOI 45°
S2 : Grinding surface
- Bevel : Protective bevel as needed
- Clear Aperture : 90%
- Grind Surface :  Mark



ZENOPSTM
Optical solution for your industries
Exceed the wall

DATE	SCALE	TITLE
2023-11-03	1:1	12.7mm \varnothing x 6mmThk, N-BK7, AL coated $\lambda 450\sim 650\text{nm}$
3RD ANGLE PROJECTION 	UNIT MM	ORDER NO PAL05B6