
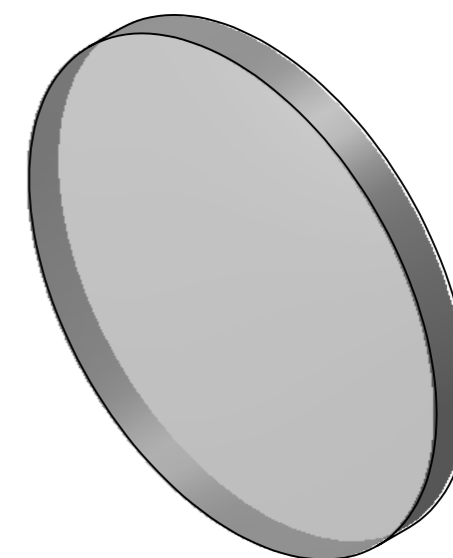
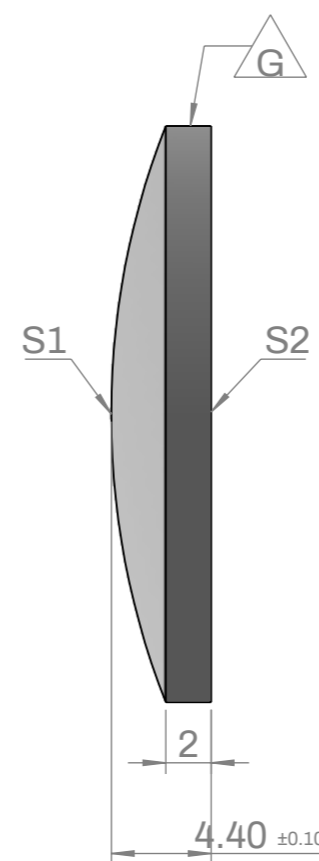
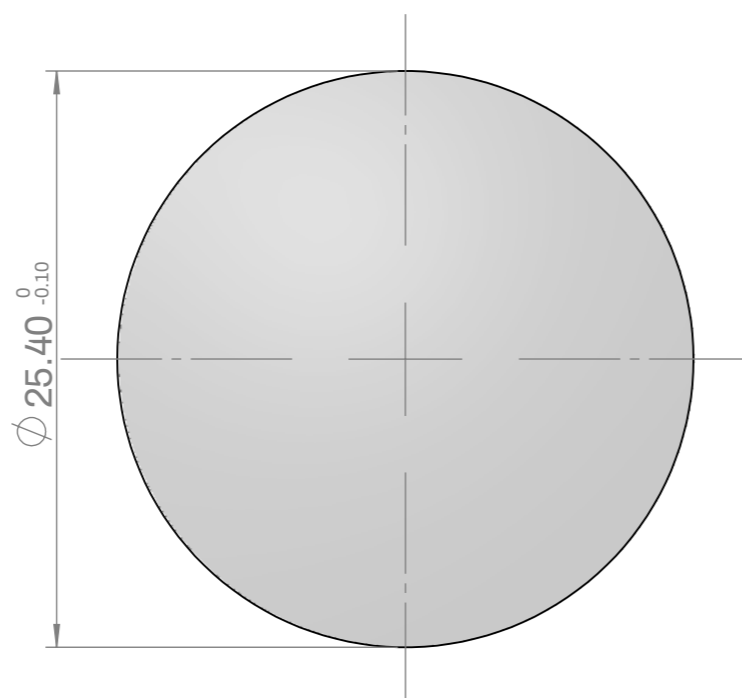


SPECIFICATIONS

- Order number : L1P40U
- Substrate : UV grade fused silica
- Design wavelength : 587.6nm
- Focal length (EFL) : 40.0mm ±1%
- Back focal length (BFL) : 35.13mm
- Chamfer : Protective bevel as needed
- Grind Surface :  Mark



	S1	S2
Radius	CX 18.34	Infinity
Power	3.00 Ring	3.00 Ring
Irregularity	$\lambda/4@633\text{nm}$	$\lambda/4@633\text{nm}$
Centering	< 1 arcmin	
Surface Quality	40-20 Scratch-Dig	
Clear Aperture	90%	



DATE	SCALE	TITLE
2023-11-03	1:1	25.4mm ϕ , FL= 40.0mm, UVFS, Plano-convex Lens
3RD ANGLE PROJECTION	UNIT	ORDER NO
	MM	L1P40U