
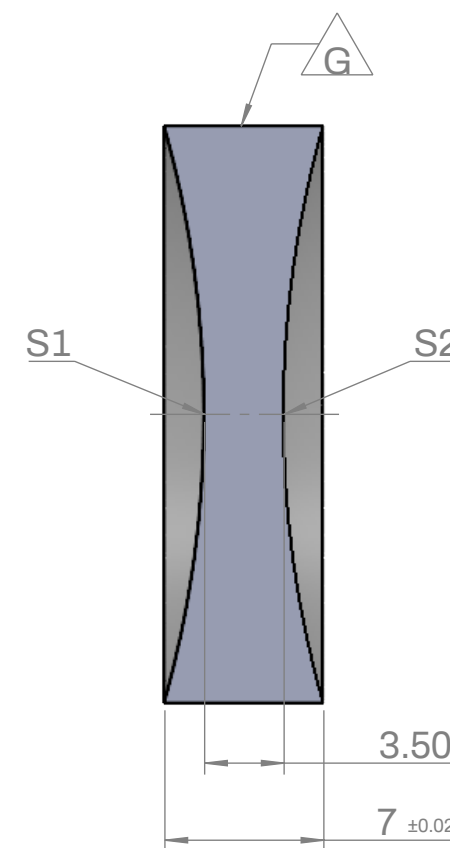
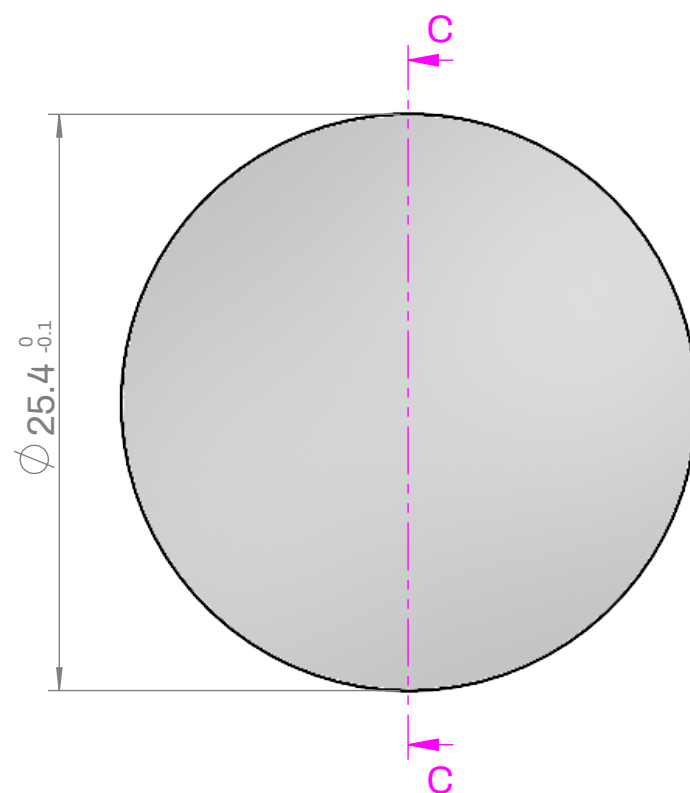
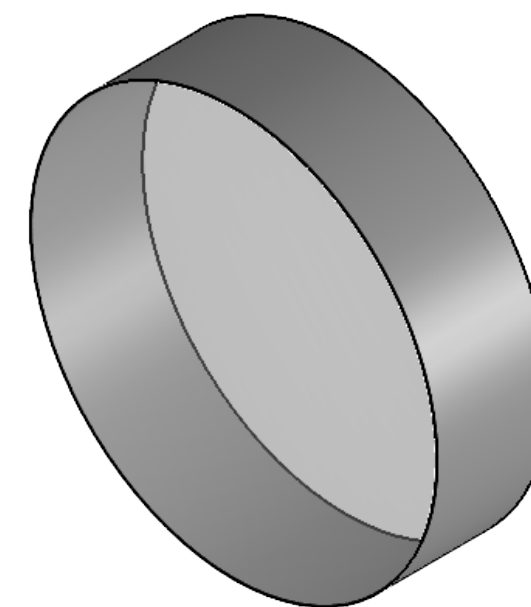


SPECIFICATIONS

- ☐ Order number : L1BN50U
- ☐ Substrate : UV Fused silica
- ☐ Design wavelength : 587.6nm
- ☐ Focal length (EFL) : -50.0mm ±1%
- ☐ Back focal length (BFL) : -51.19mm
- ☐ Bevel : Protective bevel as needed
- ☐ Grind Surface :  Mark



| | S1 | S2 |
|-----------------|--------------------------|--------------------------|
| Radius | CC 46.39 | CC 46.39 |
| Power | 3.00 Ring | 3.00 Ring |
| Irregularity | $\lambda/4@633\text{nm}$ | $\lambda/4@633\text{nm}$ |
| Centering | < 1 arcmin | |
| Surface Quality | 40-20 Scratch-Dig | |
| Clear Aperture | 90% | |



| DATE | SCALE | TITLE |
|---|-------|--|
| 2023-11-03 | 1:1 | 25.4mmØ , FL= -50.0mm, UVFS, BI-concave Lens |
| 3RD ANGLE PROJECTION | UNIT | ORDER NO |
|  | MM | L1BN50U |