
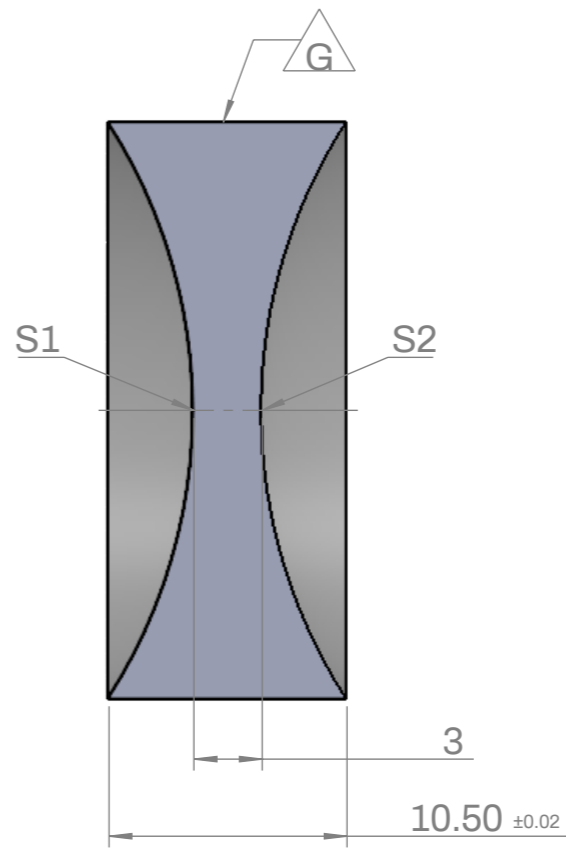
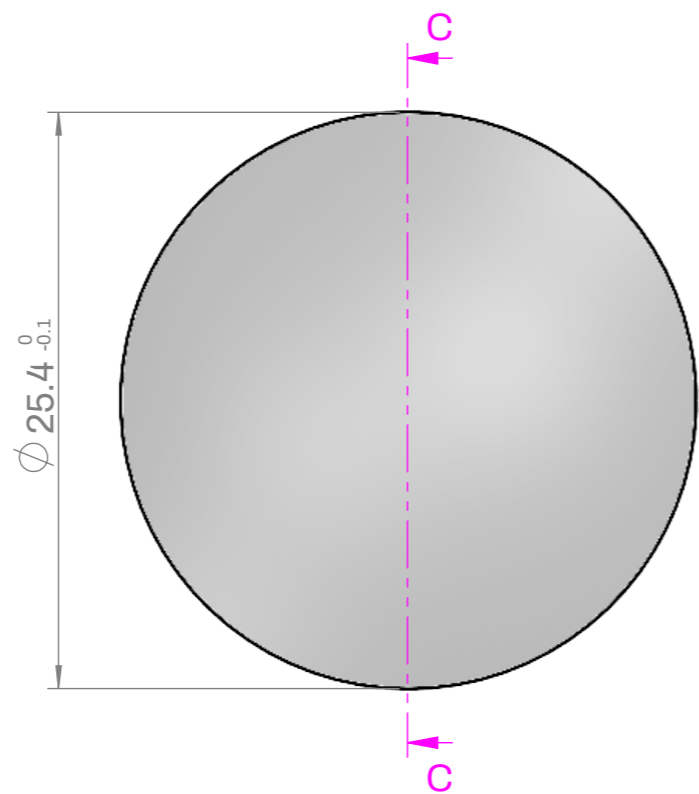
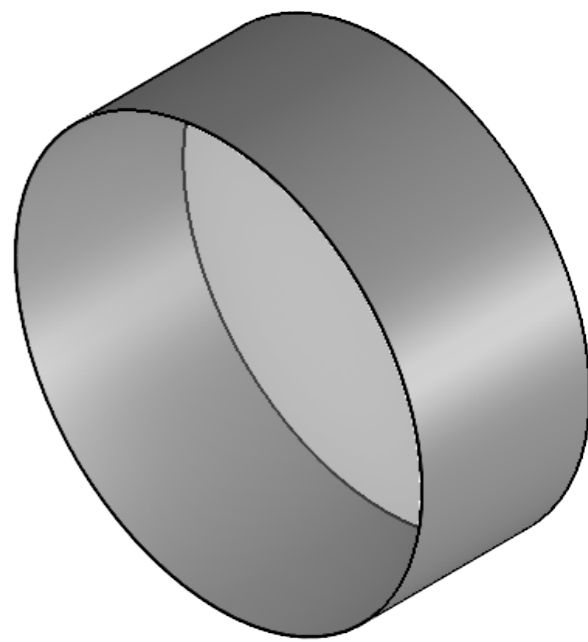



SPECIFICATIONS

- ☐ Order number : L1BN25U
- ☐ Substrate : UV Fused silica
- ☐ Design wavelength : 587.6nm
- ☐ Focal length (EFL) : -25.0mm ±1%
- ☐ Back focal length (BFL) : -26.01mm
- ☐ Bevel : Protective bevel as needed
- ☐ Grind Surface :  Mark



	S1	S2
Radius	CC 23.39	CC 23.39
Power	3.00 Ring	3.00 Ring
Irregularity	$\lambda/4@633\text{nm}$	$\lambda/4@633\text{nm}$
Centering	< 1 arcmin	
Surface Quality	40-20 Scratch-Dig	
Clear Aperture	90%	



DATE	SCALE	TITLE
2023-11-03	1:1	25.4mmØ , FL= -25.0mm, UVFS, BI-concave Lens
3RD ANGLE PROJECTION 	UNIT MM	ORDER NO L1BN25U